

CONSTRUCTION NOTES & SPECIFICATIONS

A. GENERAL

- BACKFILL MATERIAL SHALL NOT CONTAIN ORGANIC MATERIAL AND FROST SUSCEPTIBLE SOILS.
- THE PROVIDED DRAWINGS ARE LIMITED TO THE ITEMS SPECIFIED HEREIN. NO OPINION IS OFFERED, AND NONE SHOULD BE INFERRED REGARDING OTHER ASPECTS OF THIS STRUCTURE, OR THE STRUCTURES TAKE AS A WHOLE. ANY ASSOCIATED REMEDIES EXPRESSED OR REFERENCED ARE EXCLUSIVE TO THE ITEMS SPECIFIED HEREIN. NO WARRANTY IS EXPRESSED OR IMPLIED.
- ALL WORK SHALL BE IN ACCORDANCE WITH THE CURRENT EDITION OF THE INTERNATIONAL BUILDING CODE, AS ADOPTED AND SUPPLEMENTED BY LOCAL REGULATIONS.
- IF RUBBER Tired EQUIPMENT NEEDS TO BE USED FOR BACK FILLING, DO NOT TURN EQUIPMENT WHILE STANDING STILL ON GEOGRID.
- VERIFY ALL DIMENSIONS AND SITE CONDITIONS PRIOR TO START OF CONSTRUCTION. NOTIFY THE ENGINEER OF ANY DISCREPANCIES OR INCONSISTENCIES.
- NO CHANGES TO THE INFORMATION SHOWN ON THE DRAWINGS OR SUBSTITUTIONS OF MATERIALS SHALL BE MADE WITHOUT THE SPECIFIC WRITTEN APPROVAL OF THE ENGINEER.
- DESIGN INFORMATION SHOWN ON THE DRAWINGS PROVIDE OVERALL DIMENSIONAL PARAMETERS AND DESCRIBE ELEMENTS TO BE CONSTRUCTED.
- THE ENGINEER SHALL BE NOTIFIED OF ANY PROPOSED MODIFICATIONS.

B. FOUNDATIONS

- SEE TABLE 1/52
- FOUNDATION CONDITIONS DIFFERENT TO THE ASSUMED DESIGN PARAMETERS OR TO A GEOTECHNICAL REPORT SHALL BE REPORTED TO THE STRUCTURAL AND GEOTECHNICAL ENGINEER BEFORE FURTHER CONSTRUCTION IS ATTEMPTED.
- THE BOTTOM OF ALL WALLS SHALL BEAR ON COMPETENT VIRGIN MATERIAL.

N.C. DEPT. OF TRANSPORTATION  
DIVISION OF HIGHWAYS  
GEOTECHNICAL ENG. UNIT-WRO

X ACCEPTED  
ACCEPTED AS NOTED  
RETURNED FOR CORRECTIONS  
SEE LETTER

BY: Shane Clark, PE  
DATE: March 7, 2016

SITE NOTES / SEQUENCE:

- LOCATE/VERIFY ALL UTILITIES PRIOR TO CONSTRUCTION
- TREE REMOVAL BY OWNER/CONTRACTOR PRIOR TO CONSTRUCTION
- DEMOLITION OF EXISTING WALLS BY CONTRACTOR
- NEW WALL TO BE INSTALLED PER SITE PLAN/SURVEY; VERIFY ALL SETBACKS, EASEMENTS, PROPERTY LINES
- PRIOR TO CONSTRUCTION SURFACE DRAINAGE, WATER CONVEYANCE AND DISCHARGE PER PROPERTY OWNER OR CONTRACTOR
- GEOGRID ELEVATION MEASURED FROM BASE OF WALL
- GEOGRID LENGTH MEASURED FROM OUTER FACE OF WALL
- BASE ELEVATION SHALL BE MIN. 24" BELOW GRADE

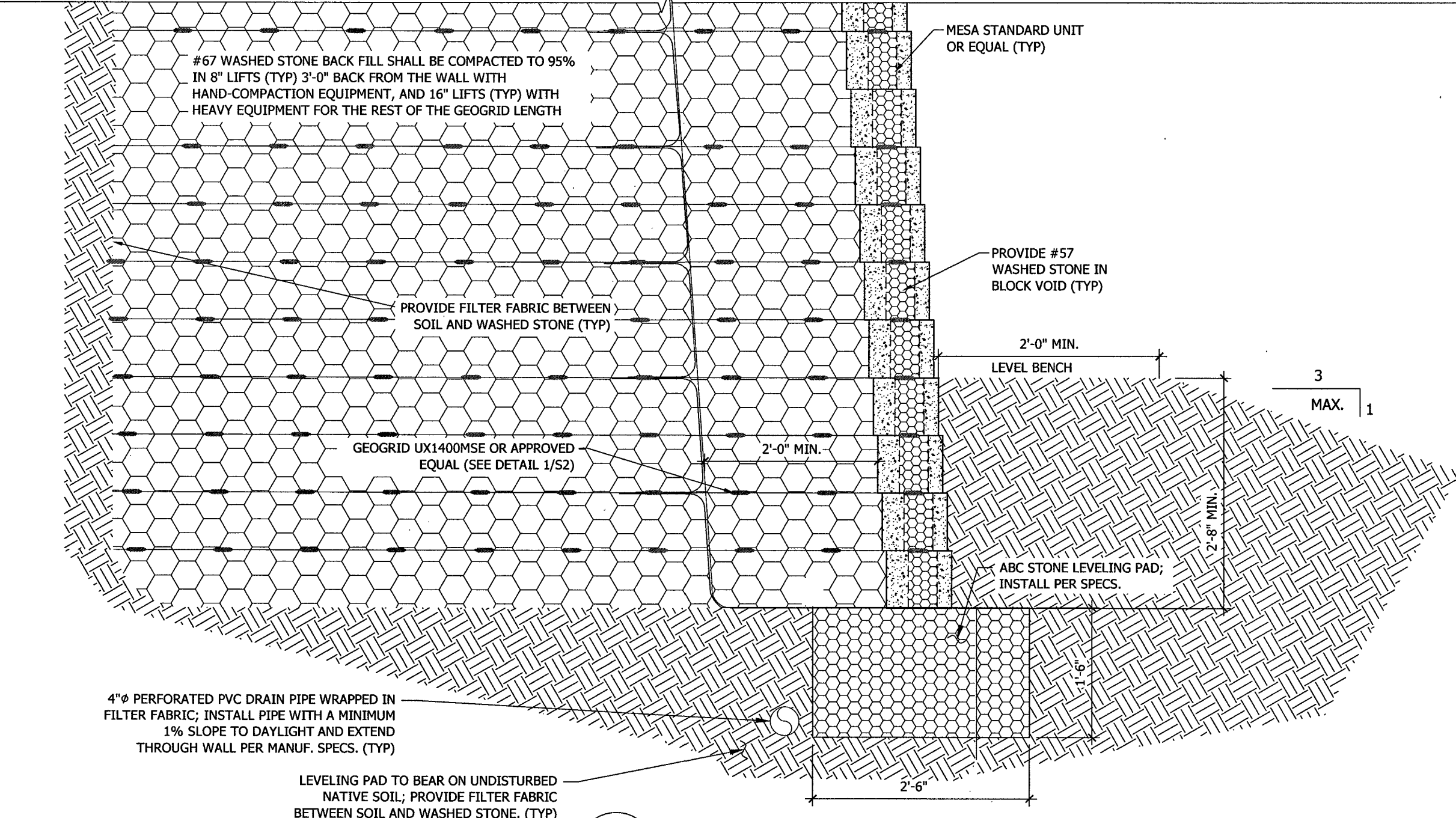
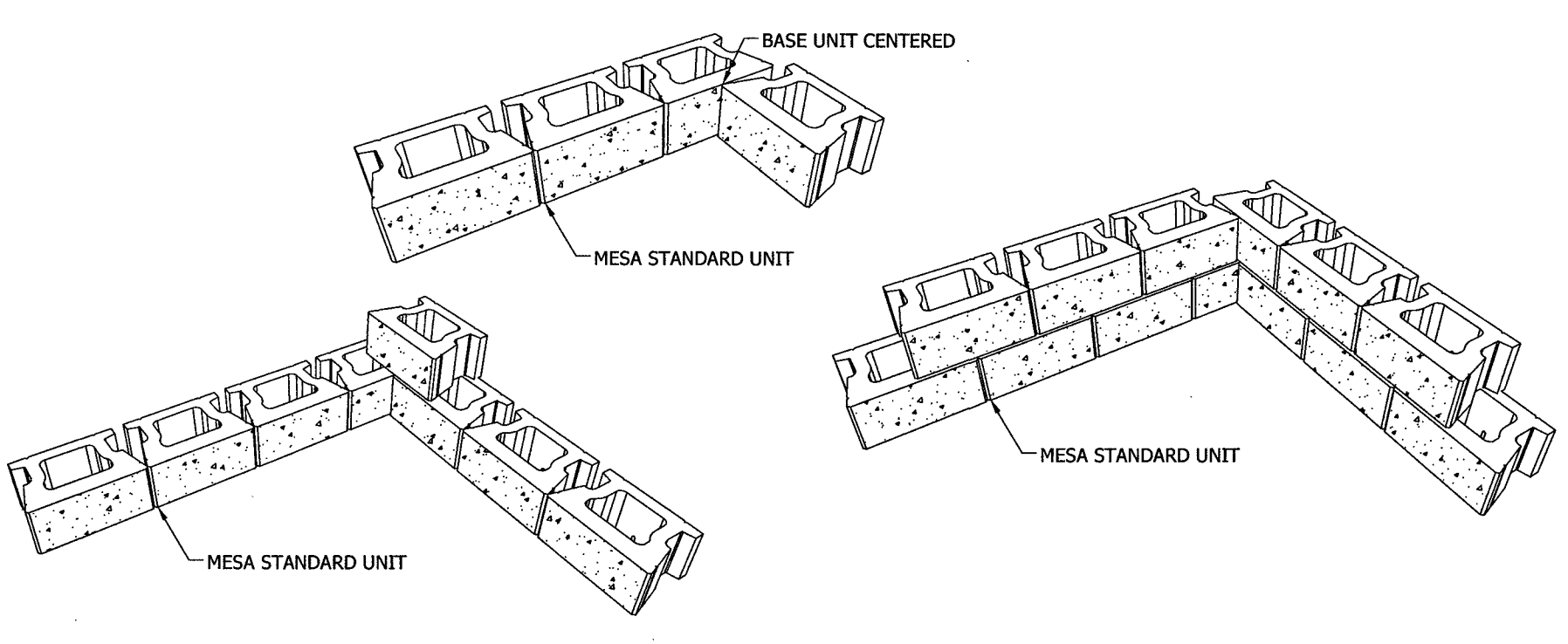
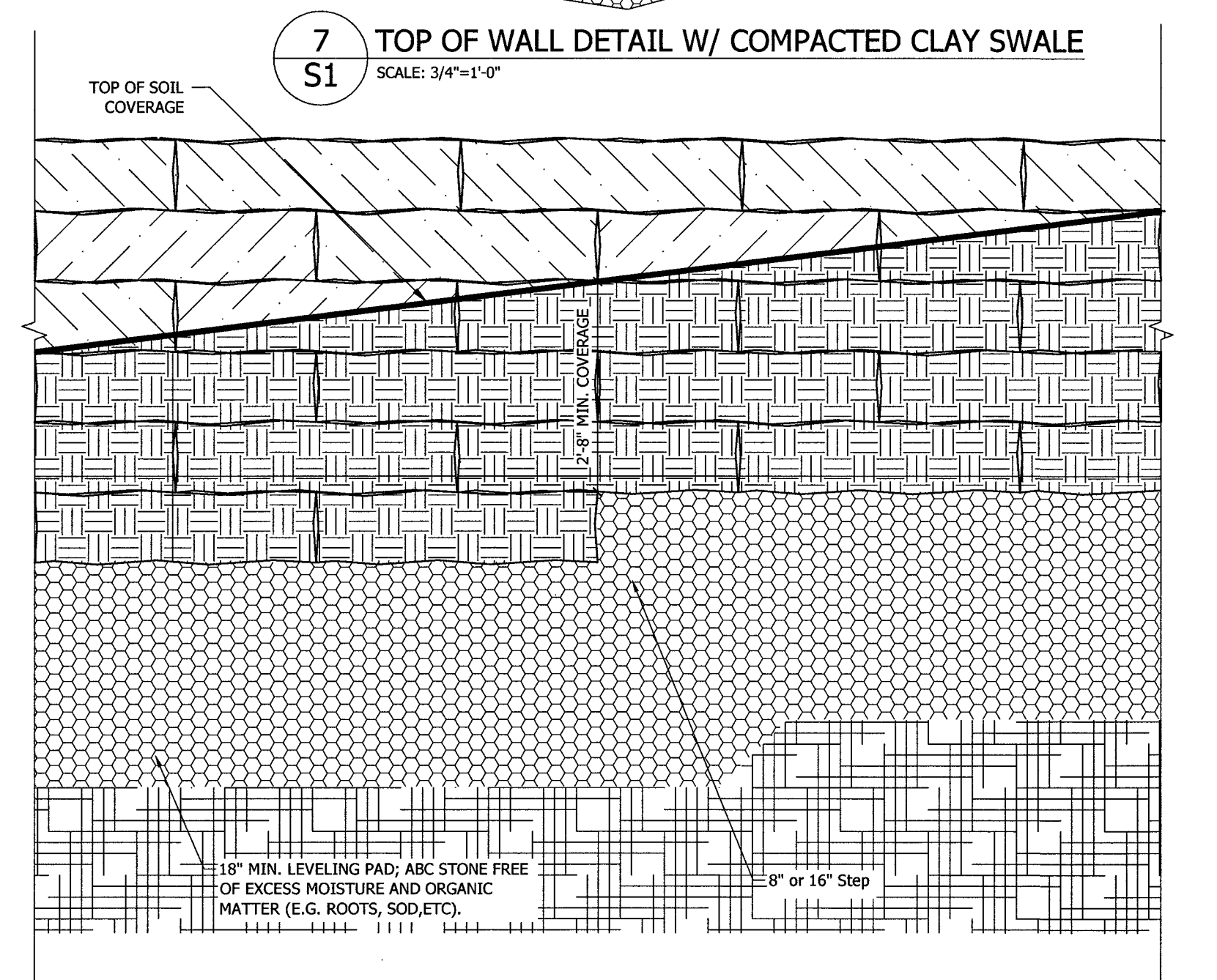
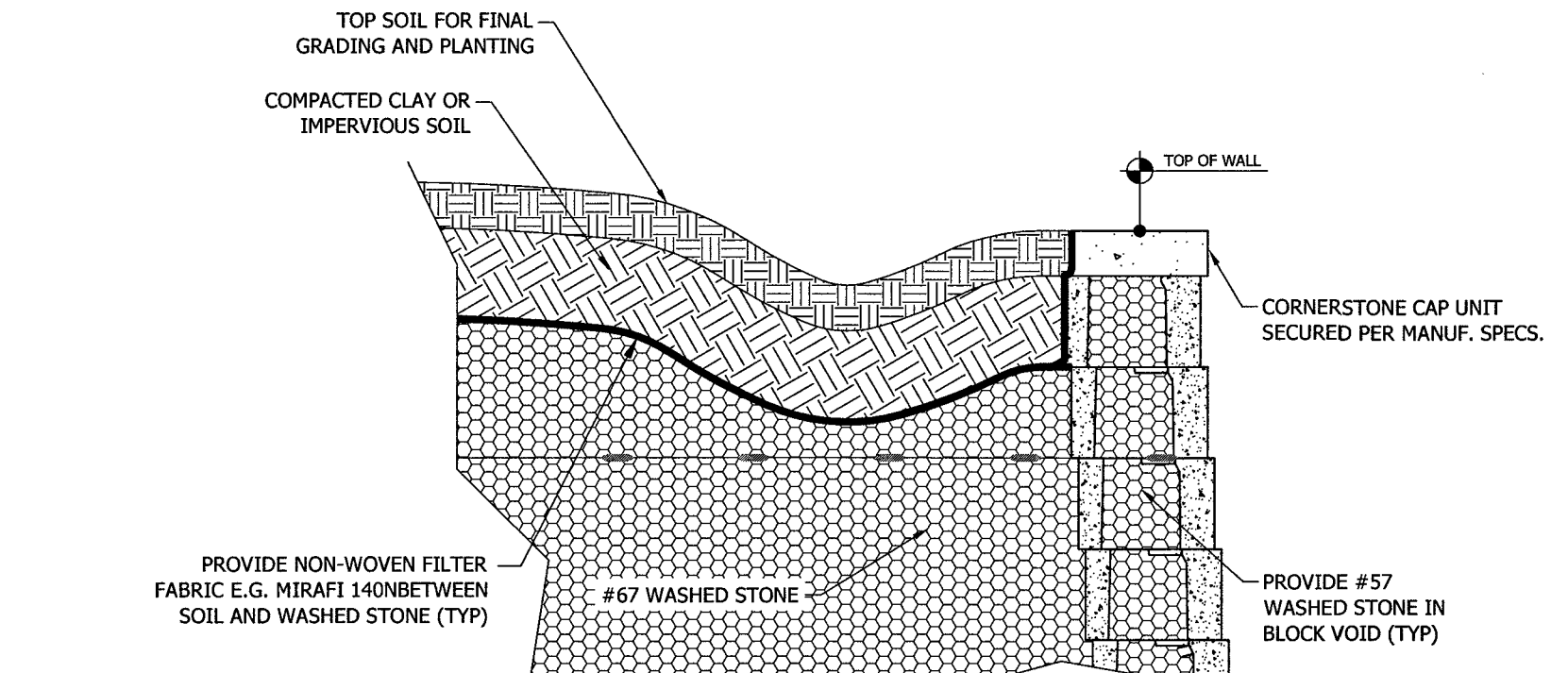
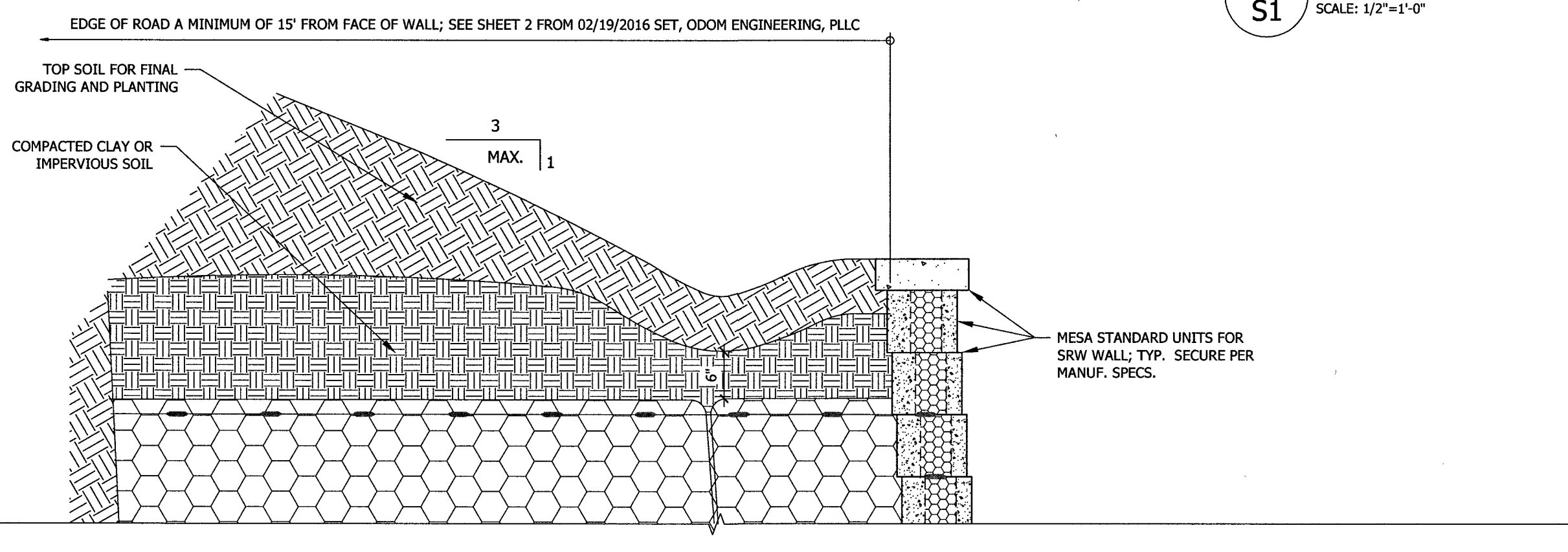
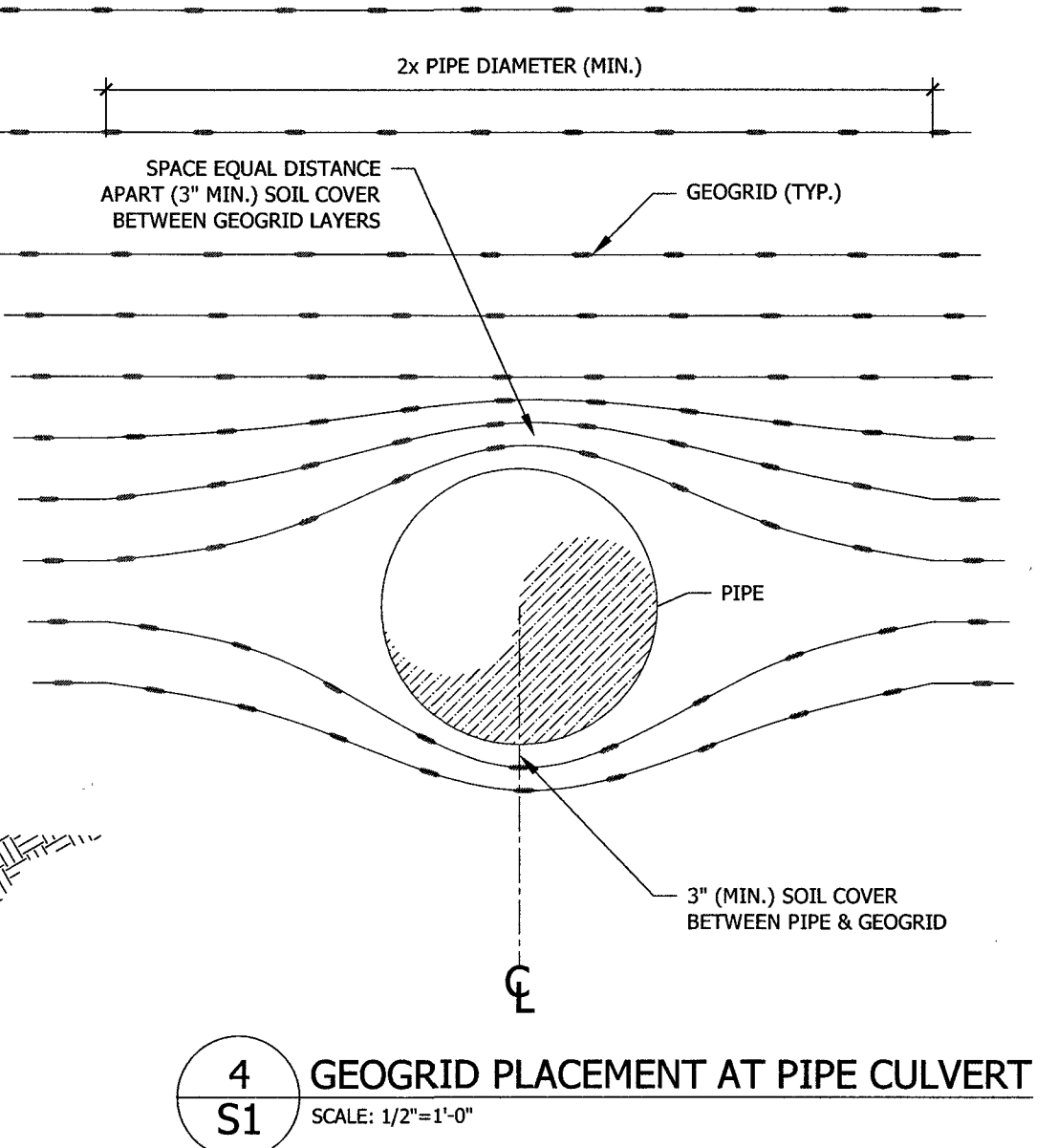
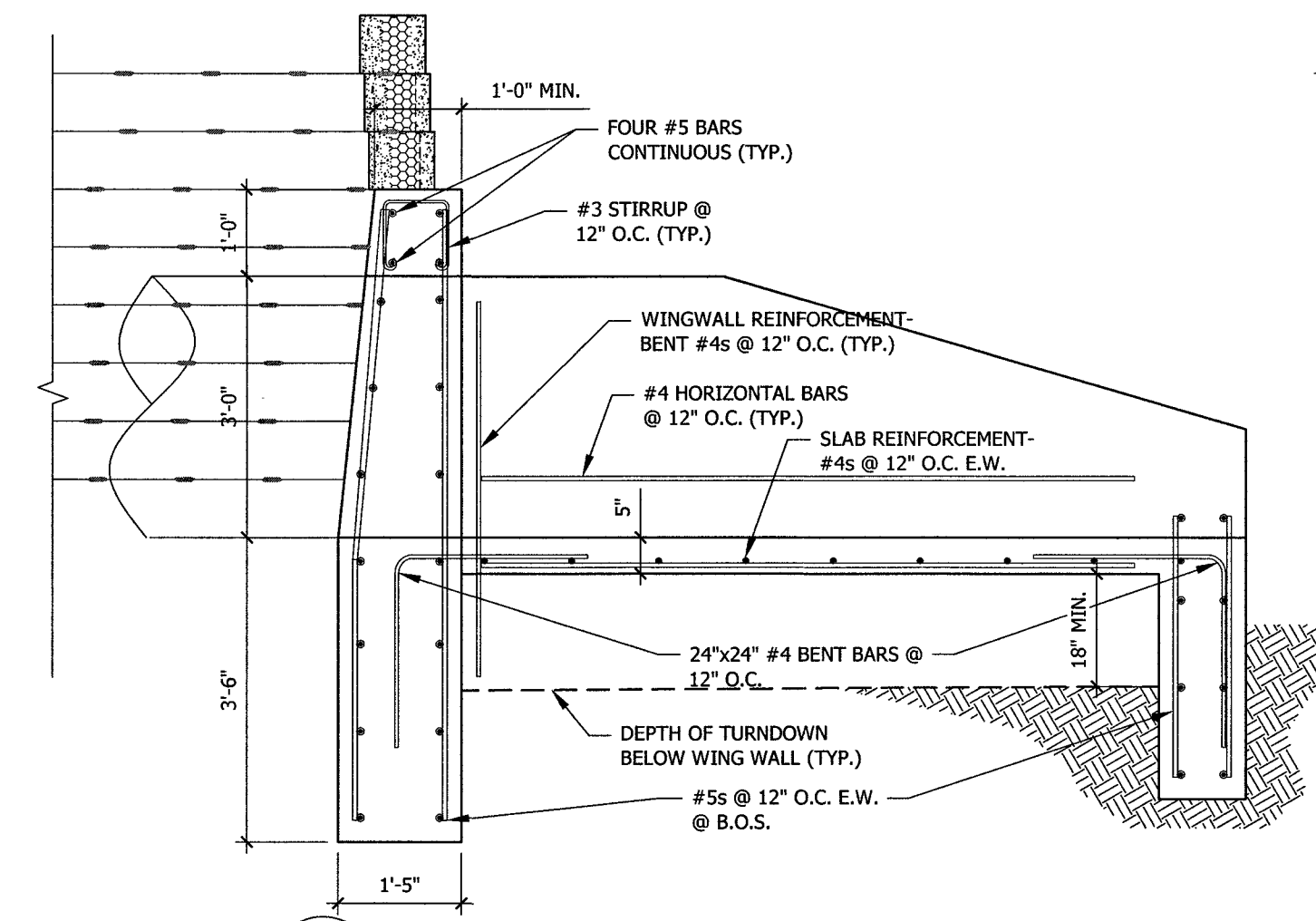
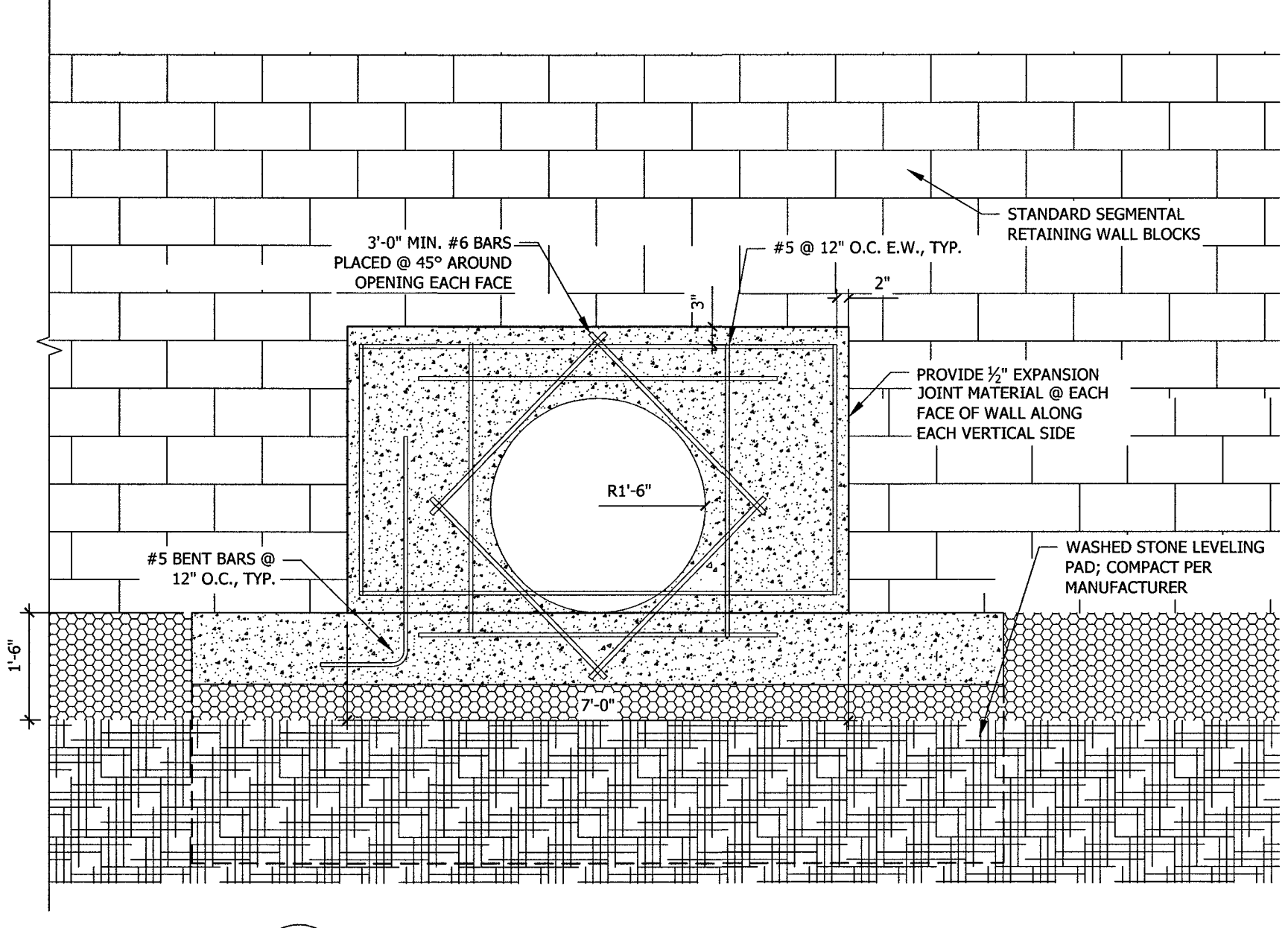
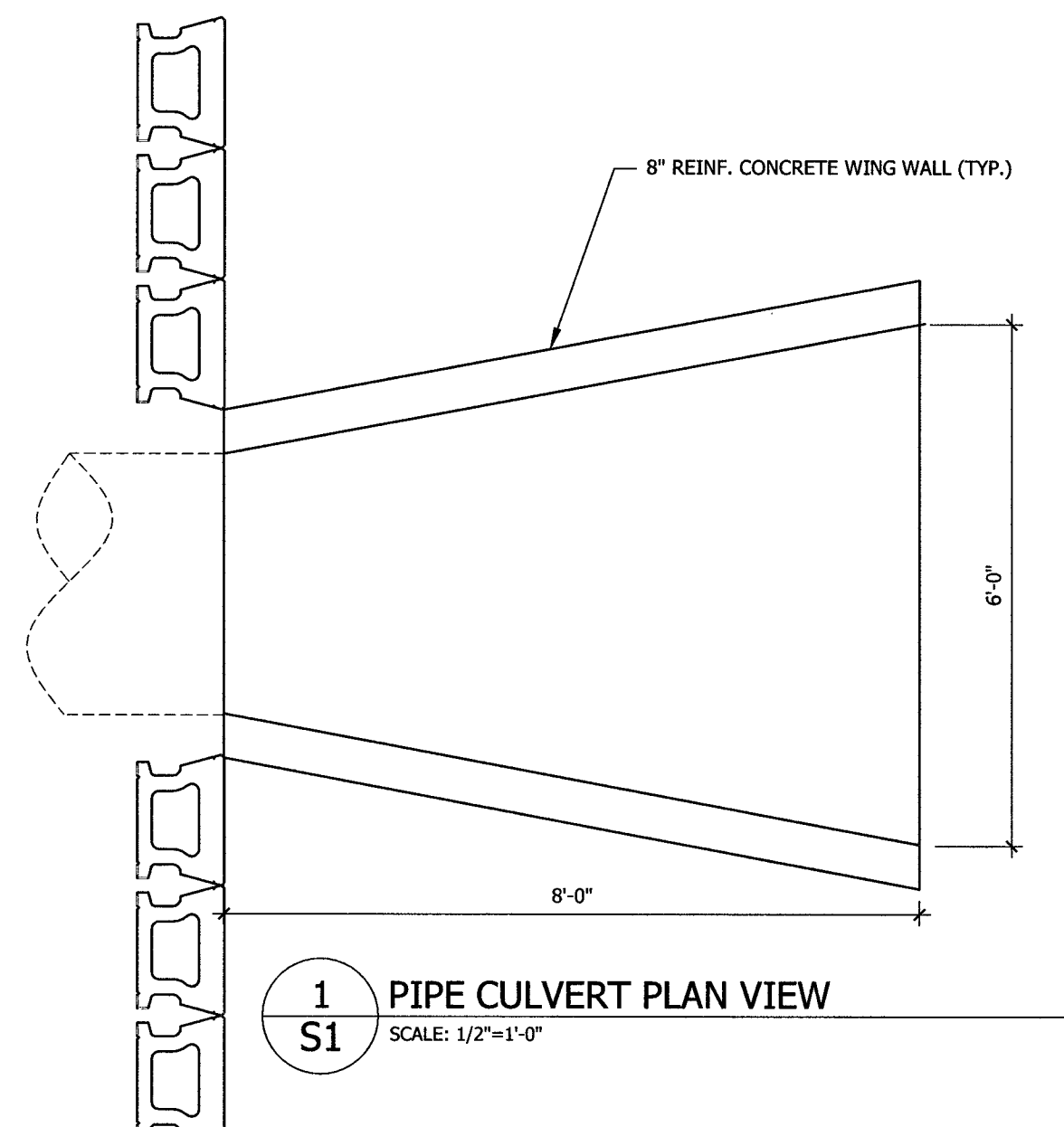
WALL DESIGN DATA:

RETAINED SOIL FRICTION ANGLE,  $\phi = 32^\circ$   
SOIL UNIT WEIGHT,  $\gamma_s = 120$  PCF  
COHESION,  $C = 0$

BULK UNIT WEIGHT,  $\gamma_b = 120$  PCF  
REINFORCED BACKFILL,  $\phi = 40^\circ$   
REINFORCED BACKFILL,  $\gamma_r = 115$  PCF

MINIMUM CUT SLOPE FOR DESIGN PURPOSES ONLY.  
ACTUAL CUT SLOPE BATTER MAY BE GREATER.

NOTE:  
1. ALL RETAINING WALL BLOCKS TO BE MESA STANDARD BLOCKS FOR SRW WALL.  
2. ALL GRID MATERIAL TO BE GEOGRID UX1400 MESH. INSTALL PER MANUF. SPECS AND TO PRESCRIBED DIMENSIONS.



5 S1 21'-0" MAX. SEGMENTAL BLOCK WALL SECTION  
SCALE: 3/4"=1'-0"

6 S1 SITE RETAINING WALL STEP DOWN (ELEVATION)  
SCALE: 3/4"=1'-0"

A S1 TYPICAL INSIDE CORNER DETAILS  
Scale: NTS

Date	1/1/16
REVISIONS/SUBMISSIONS	
No.	
	<p>CONSTRUCTION SET</p>
Reviewer: FUN Scale: AS NOTED Date: 03-01-2016	53 Asheland Avenue, Suite 101 Asheville, NC 28801 Phone#: (828)232-4448 Fax#: (828) 232-5224
Designer: FUN Drawn: CTD Checked: EKM	CONSTRUCTION ASSISTANCE

**MEDLOCK & ASSOCIATES**  
ENGINEERING, P.A.  
STRUCTURAL • CONSULTING • CONSTRUCTION ASSISTANCE

STATE OF NORTH CAROLINA  
DIVISION OF HIGHWAYS  
STATE PROJECT REF. NO. R-5756  
NORTH CAROLINA  
POLK COUNTY

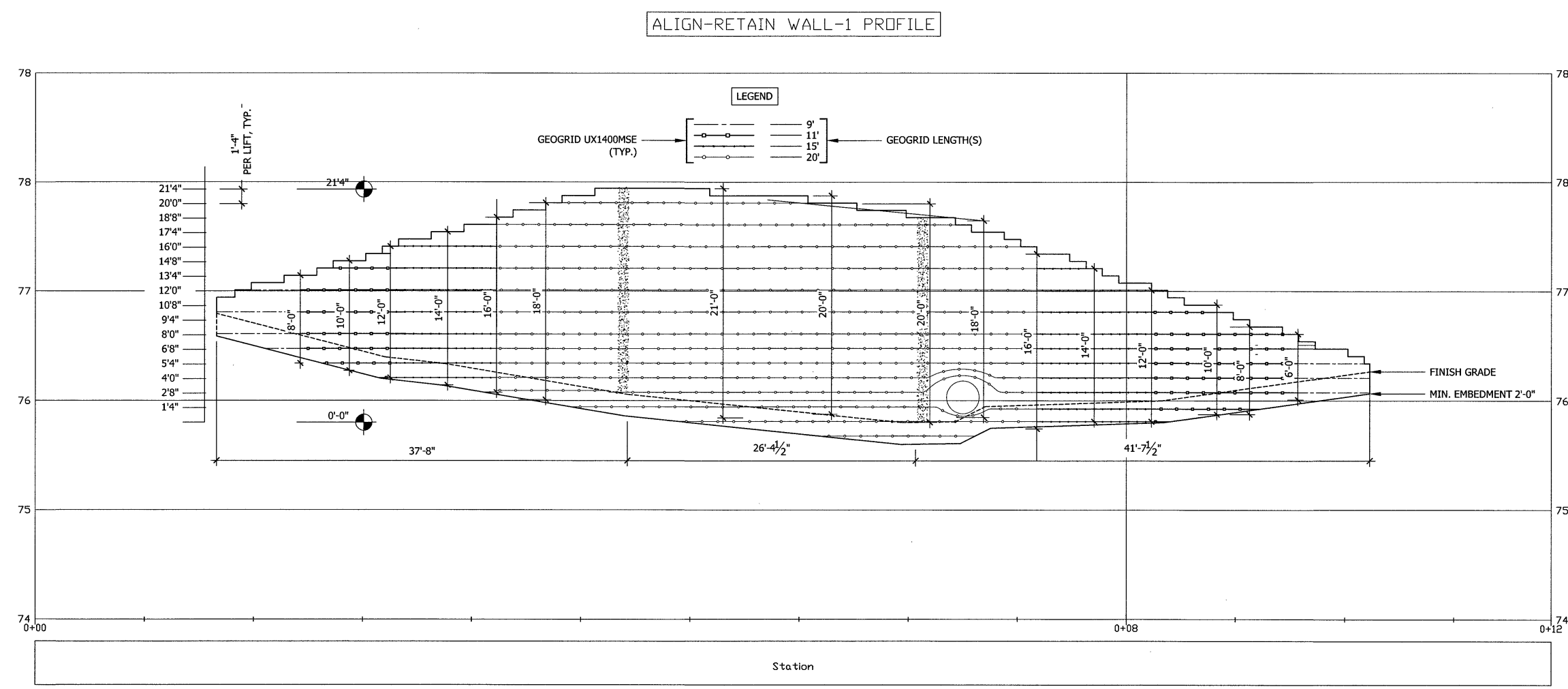
Project No: 420415  
S1 OF 2

Drawing Title:  
SEGMENTAL RETAINING WALL SECTIONS & DETAILS



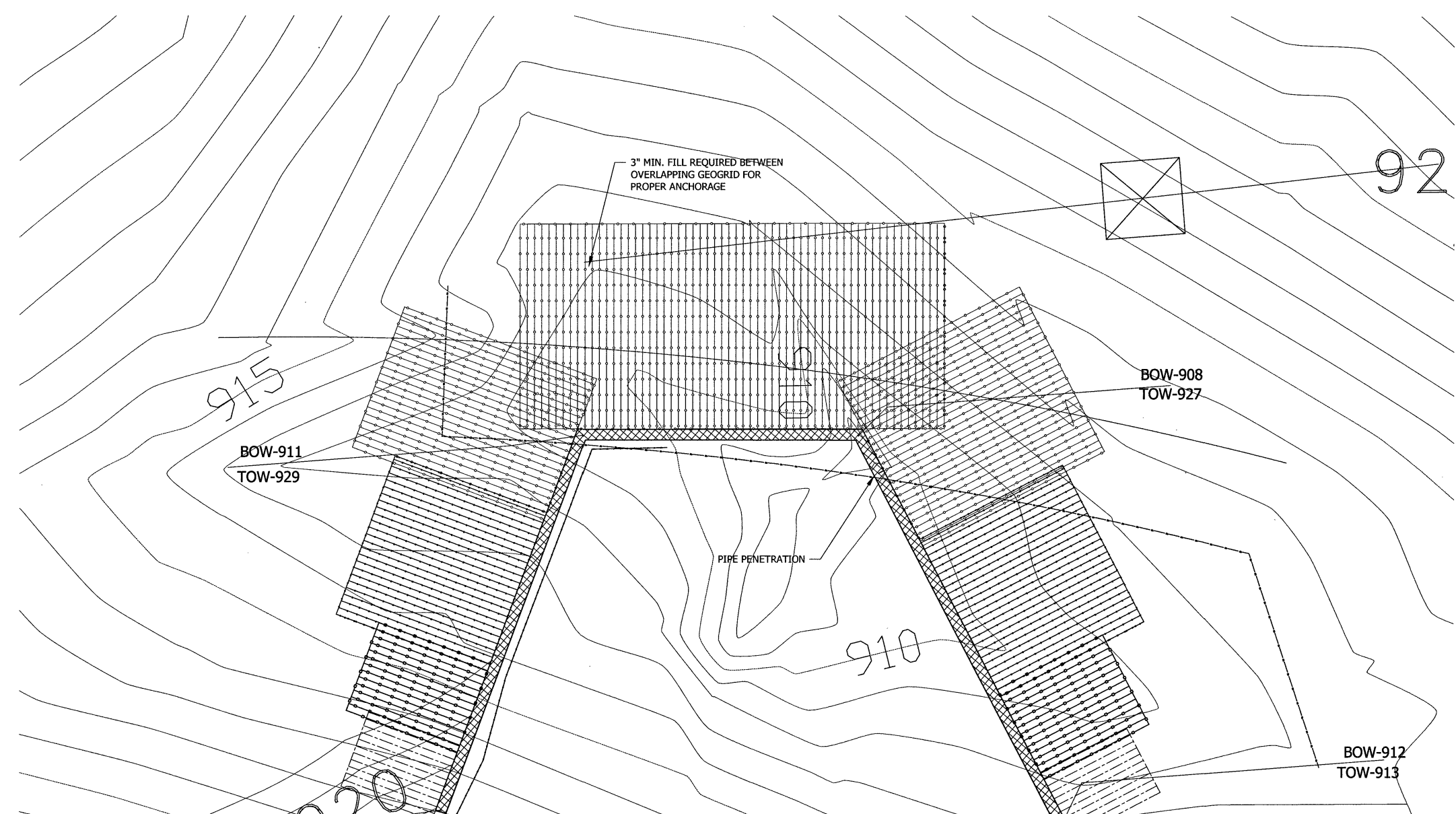
WALL HEIGHT (FEET)	ACTUAL BEARING PRESSURE BELOW WALL (PSF)*	REMARKS
21.33	4000	
17.44	4000	
13.55	4000	
9.67	4000	
5.78	3000	

\* ACTUAL PRESSURES TAKING INTO ACCOUNT BACKSLOPE, SURCHARGE & WALL GEOMETRY



1  
S2 FACE OF WALL / GEOGRID CROSS SEC.  
SCALE: 1/4"=1'-0"

SEE DETAIL 421 FOR  
COVERAGE @ BOTTOM  
OF WALL



03-01-16

NO.	REVISIONS/SUBMISSIONS	DATE

**CONSTRUCTION SET**

Reviewed: JHM  
 Scale: AS NOTED  
 Date: 03-01-2016  
 53 Ashland Avenue,  
 Asheville, NC 28801  
 Phone#: (828)232-4468  
 Fax#: (828) 232-5224

**MEDLOCK & ASSOCIATES**  
 ENGINEERING, P.A.  
 STRUCTURAL • CONSULTING • CONSTRUCTION ASSISTANCE

STATE OF NORTH CAROLINA  
 DIVISION OF HIGHWAYS  
 STATE PROJECT REF. NO. R-5756  
 COUNTY: NORTH CAROLINA  
 TOWNSHIP: WING WALL ELEVATION & LOCATION